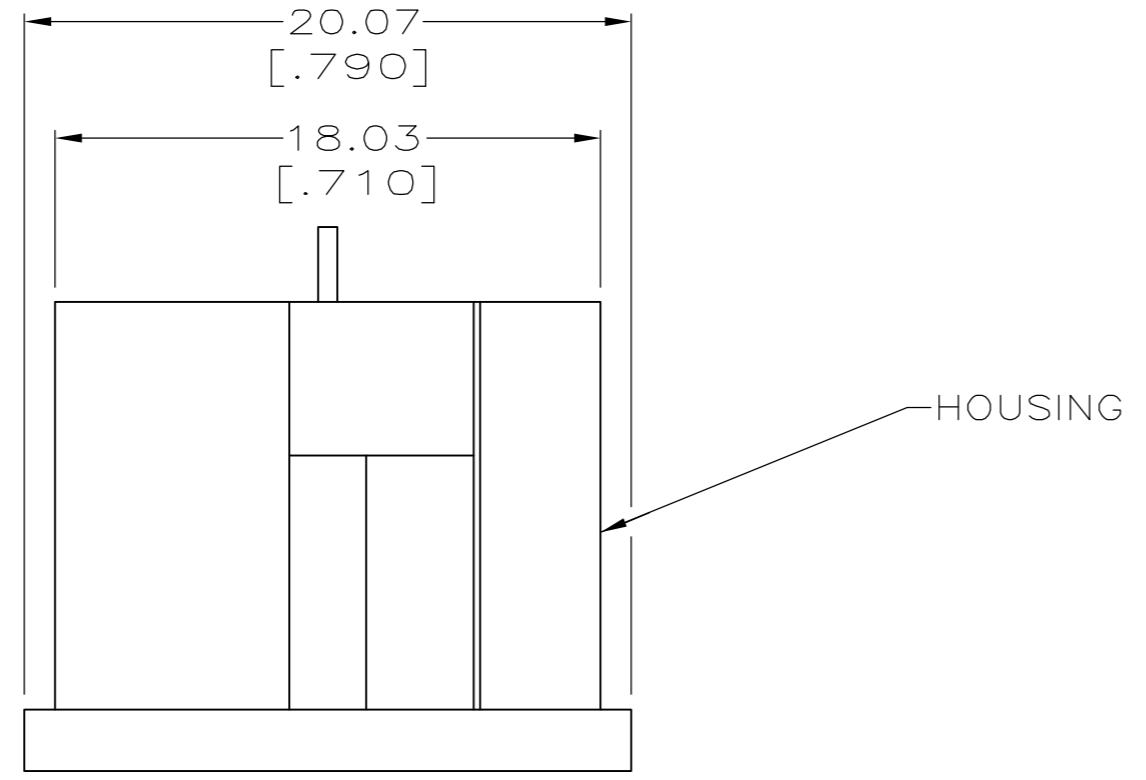
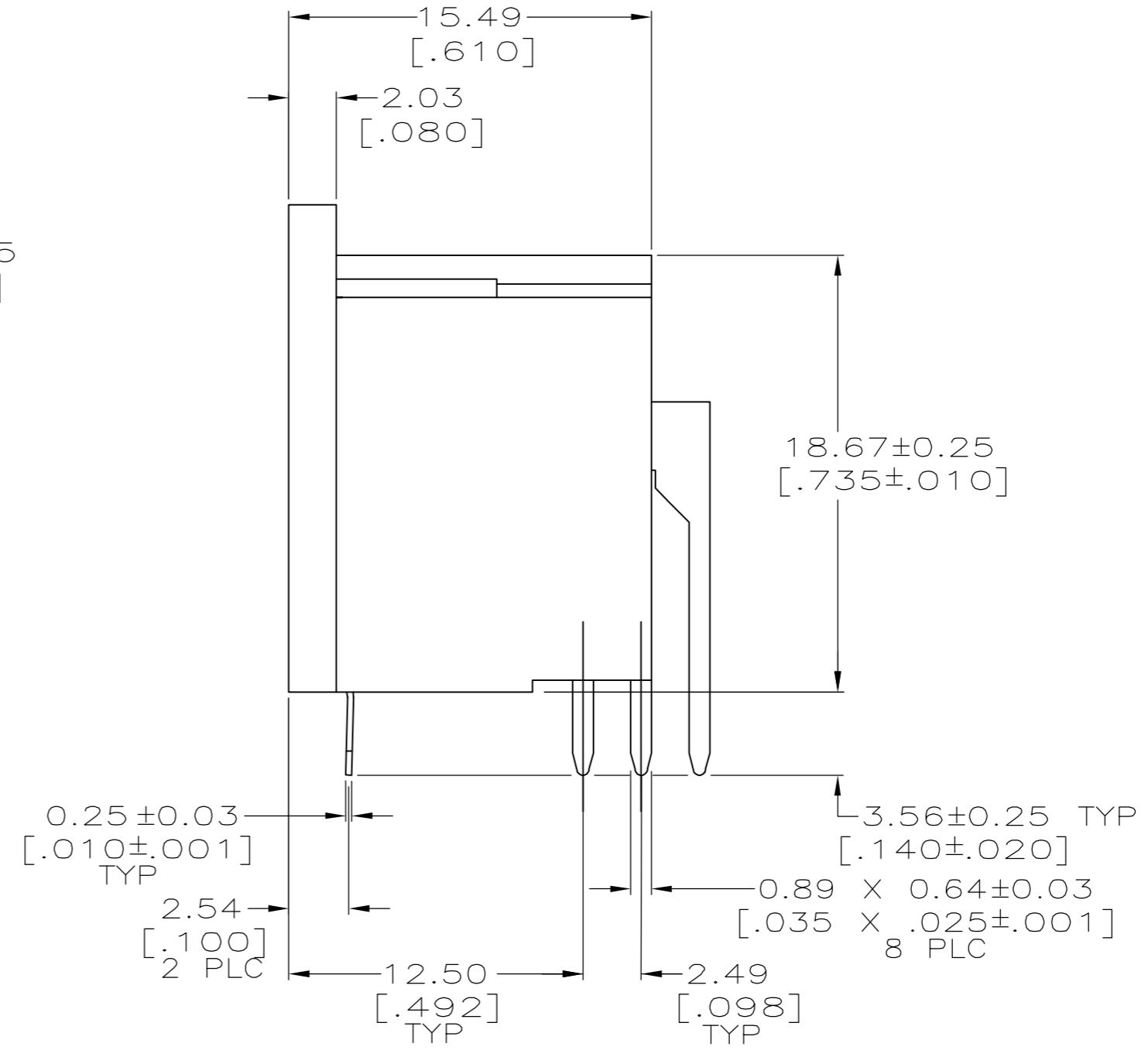
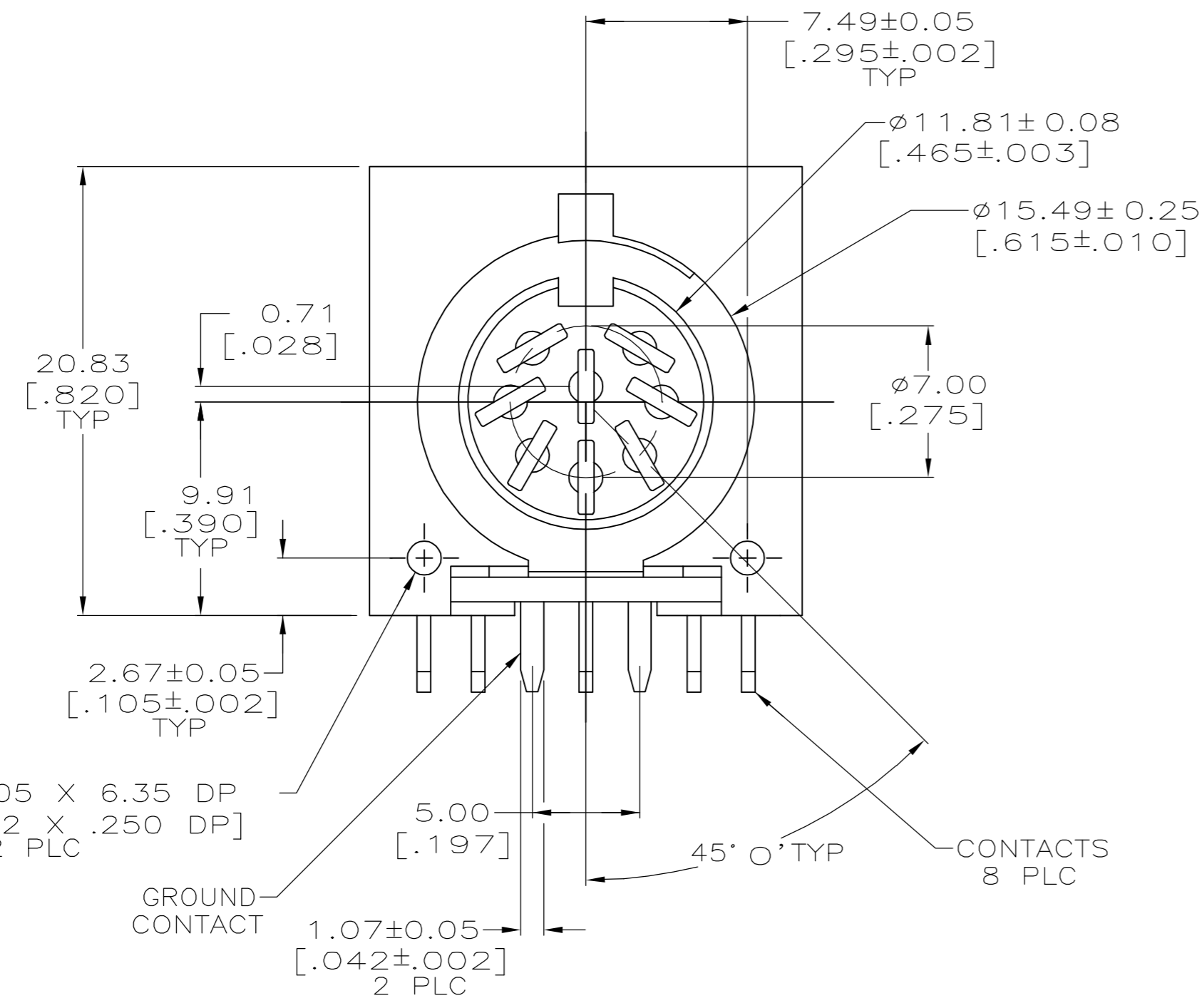


THIS DRAWING IS UNPUBLISHED. RELEASED FOR PUBLICATION  
 © COPYRIGHT BY TYCO ELECTRONICS CORPORATION. ALL RIGHTS RESERVED.

LOC		DIST		REVISIONS			
P	LTR	DESCRIPTION	DATE	DWN	APVD		
GP	00						
	01	REVISED PER ECO-07-008008	10APR07	JDP	CWR		



- 1 HOUSING: NYLON, UL 94V-0 RATED, BLACK.
- 2 CONTACTS & GROUND CONTACT: 2.54μm [.000100] MIN TIN OVER 1.27μm [.000050] MIN NICKEL.
- 3 ACCEPTS #2 SELF-TAPPING SCREW, .250 LONG REF.
- 4 CONTACTS & GROUND CONTACT: BRASS.



3 ø1.60±0.05 X 6.35 DP  
 [.063±.002 X .250 DP]  
 2 PLC

5211511-1  
 PART NUMBER

THIS DRAWING IS A CONTROLLED DOCUMENT.		DWN L. VARELA - 11-11-04	tyco Electronics		Tyco Electronics Corporation Harrisburg, PA 17105-3608	
DIMENSIONS: mm [INCHES]		CHK C. ROHDE	NAME RECEPTACLE ASSY, RIGHT ANGLE, 8 POSITION, CIRCULAR DIN		SIZE A2	RESTRICTED TO -
TOLERANCES UNLESS OTHERWISE SPECIFIED:		APVD M. WALMSLEY 11-11-04	PRODUCT SPEC 108-10047		CAGE CODE 00779	DRAWING NO C=5211511
0 PLC ± -		APPLICATION SPEC 114-40025	WEIGHT -		SCALE 4:1	SHEET 1 of 1
1 PLC ± -		FINISH	CUSTOMER DRAWING		REV 01	
2 PLC ± 0.13[.005]						
3 PLC ± -						
4 PLC ± -						
ANGLES ± 0° 30'						